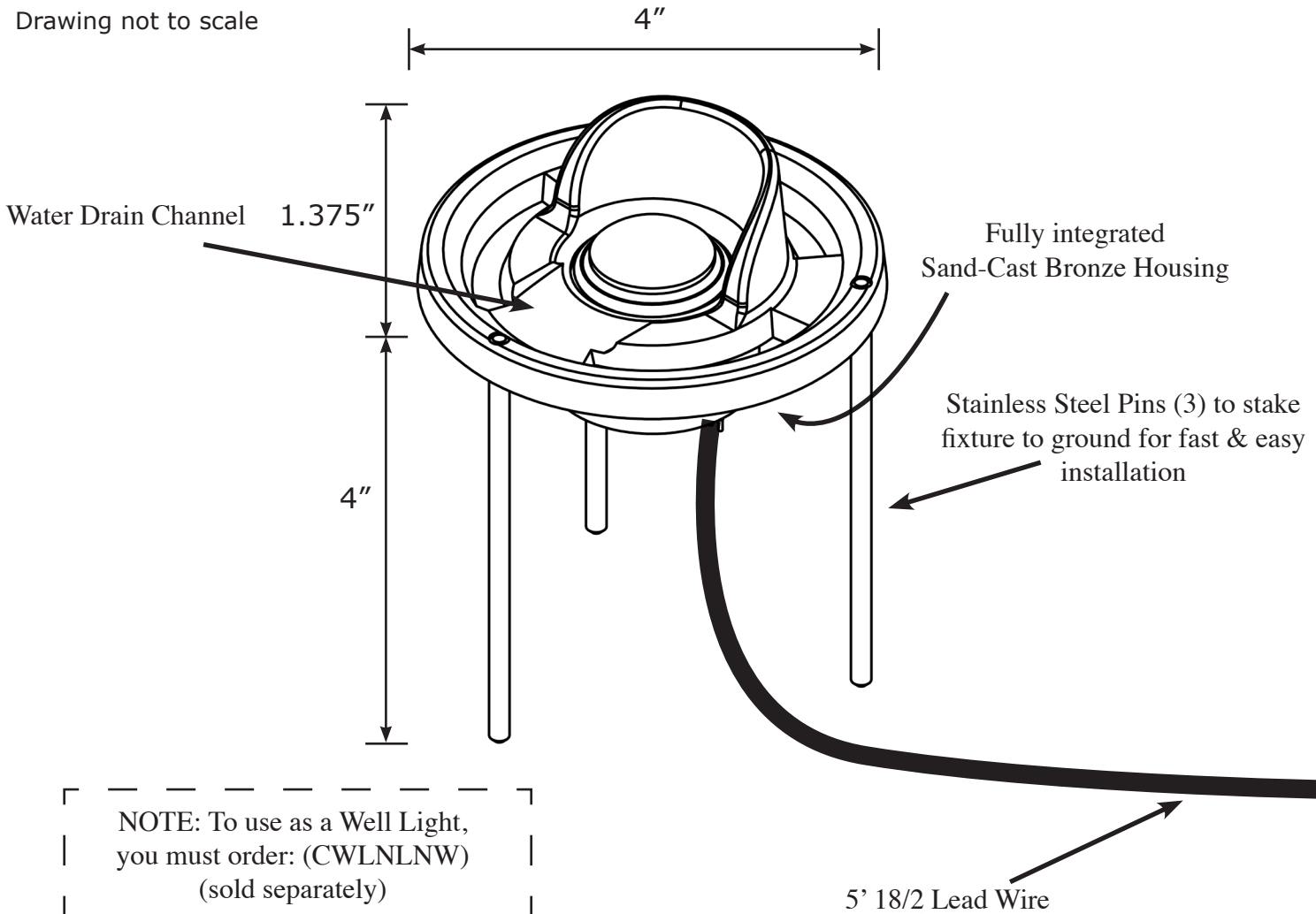


**CAST CRAFTSMAN Bronze Ground Lights**

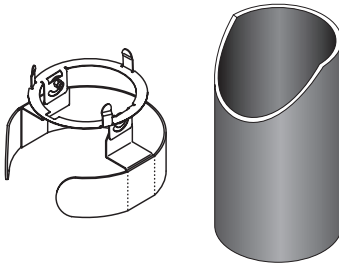


Project: \_\_\_\_\_ Date: \_\_\_\_\_  
 Fixture Type: \_\_\_\_\_ Quantity: \_\_\_\_\_  
 Specifier: \_\_\_\_\_

Drawing not to scale



NOTE: To use as a Well Light, you must order: (CWLNLNW) (sold separately)



Plan Symbol: **C**

**Notes**

- Same CAST Quality as the Impressionist and Classic Series with fixed beam angles and lumen output.

**Three High Quality Options**

- CCGL18336B - 36° Beam Angle, 183 Lm
- CCGL25036B - 36° Beam Angle, 250 Lm
- CCGL270WB - 120° Beam Angle, 270 Lm

**FEATURES**

- ✓ Fully integrated LED lights with high quality optics
- ✓ Retrofit any existing PAR 36 Halogen Well Light
- ✓ CAST Bronze for unmatched corrosion resistance
- ✓ IP66 Rated